



# ReMaCon Products CC

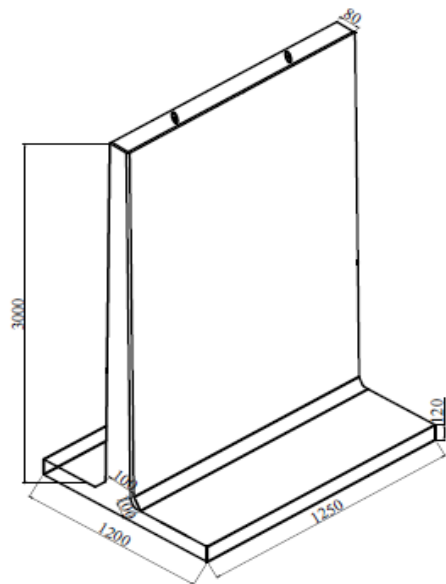
## ReMwall

**FREE STANDING HIGH SECURITY WALLS**

011-393 5504 or Christopher 082 880 0184

### STANDARD

HEIGHT	BASE WIDTH	MASS
H	B	KG
2000	1200	± 1015
2500	1200	± 1160
3000	1200	±1305
3500	1200	±1540
4000	1200	±1710



REMWALL 3D VIEW

### ANTI-CLIMB & Dust suppression

HEIGHT	BASE WIDTH	MASS
H	B	KG
2260	1200	±1250
2760	1200	±1605
3260	1200	±1750
3760	1400	±1915
4260	1650	±2080

